

Programming unit For temperature transmitters and resistance thermometers Model PU-448

WIKA data sheet AC 80.16

Applications

For easy configuration of:

- Temperature transmitters, models T12, T24
- Resistance thermometers, models TR21, TR30, TR31, TR33 and TR34

Special features

- Easy to use
- LED status/diagnostic displays
- Compact design
- No further voltage supply is needed for either the programming unit or for the transmitter
- Measuring the loop current via model T24 transmitter and the TR21, TR30 and TR31 resistance thermometers



Programming unit model PU-448 with magWIK

Description

This model PU-448 programming unit has been designed for general use in the production facilities of electronic temperature probe and sensor manufacturers. With this interface, model T12 and T24 temperature transmitters, and the TR21, TR30, TR31, TR33 and TR34 series resistance thermometers, can be quickly and easily configured.

The programming unit provides a detailed status/diagnostic display and checks, for each contact, the connection between PC and programming unit as well as the connection between the programming unit and the transmitter.

Coloured LEDs indicate to the operator the current status of the connection. This ensures that faulty connections are reported immediately. Through the colour display, errors are very easily pinpointed.

The programming unit needs no additional voltage supply. The required voltage is taken entirely from the USB interface.

Together with the WIKA_TT, WIKAsoft-TT or WIKA_T12 configuration software a very useful tool has therefore been created, with which one can very easily configure temperature transmitters and resistance thermometers.

By using a model PU-448 programming unit with model T24 temperature transmitters or model TR21, TR30 and TR31 resistance thermometers, the loop current can also be measured.

The electrical connection of the terminals for the configuration of the head-mounted temperature transmitter version is achieved using the magWIK quick connector (patent applied for, Patent No. 102009044676.1).

For the connection to model TR21, TR30, TR31, TR33 and TR34 resistance thermometers, corresponding coupler connectors are available.

Specifications		Programming unit model PU-448	
Software			
USB interface	USB connector type A to 9-pin Sub-D connector		
Electrical parameters			
Voltage supply	The PU-448 and therefore also the connected transmitter/resistance thermometer are powered through the USB port. Thus no additional voltage supply is needed.		
Power supply	100 mA @ +5 V, via USB port		
Connection to computer	USB connector		
Connection to transmitter	<ul style="list-style-type: none"> ■ 2 x Ø 2 mm banana plugs (with magWIK quick connector) ■ Adapter cable for M12 connector ■ Adapter cable for angular DIN connector, Form A 		
Output voltage	Max. 18 V		
Ambient conditions			
Operating temperature	0 ... 50 °C		
Storage	■ Temperature	-40 ... +85 °C	
	■ Humidity	0 ... 95 % relative humidity	
Dimensions			
■ Case	75 x 33.3 x 15 mm, ABS industrial case		
■ Test clip cable	2 m (2-wire)		

For instruments with the serial number > S#10000, the new resistance thermometers models TR33, TR34, TR21 (new) can be configured.

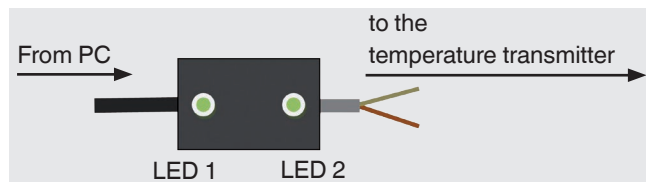
For instruments with the serial number < S#10000, the compatibility with these models cannot be guaranteed.



LED diagnostics

The model PU-448 programming unit is fitted with 2 LEDs for clear status indication. Through changes in colour, detailed status diagnostics are possible.

For further information on the LED diagnostics, see the operating instructions.



CE conformity

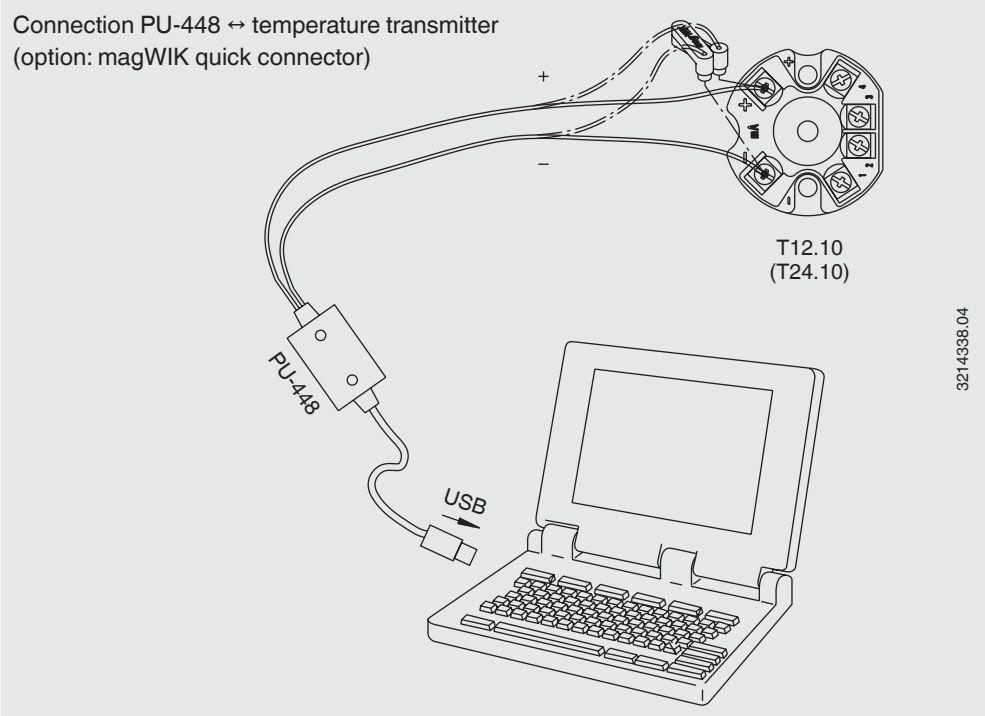
EMC directive

2004/108/EC, EN 61326 emission (group 1, class B) and interference immunity (industrial application)

Connecting PU-448 programming unit

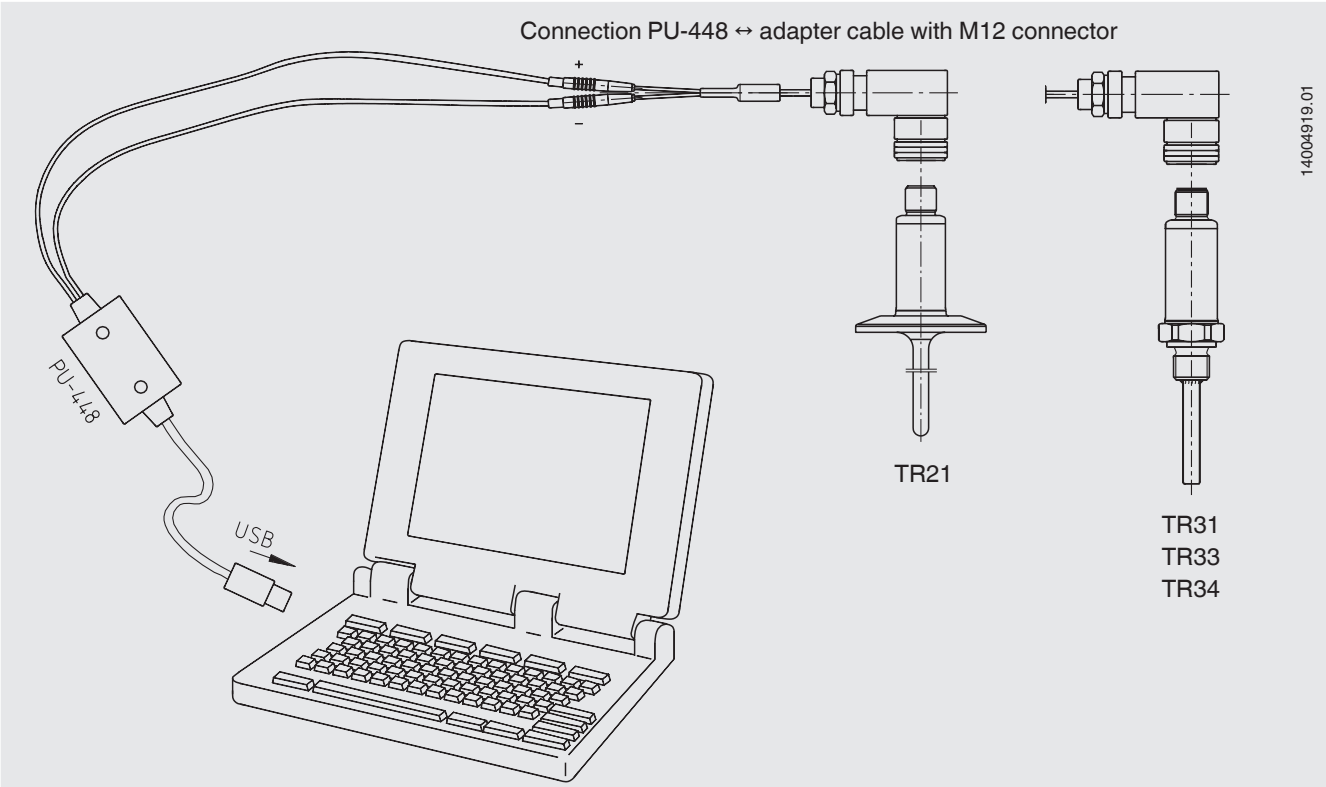
magWIK quick connector

(temperature transmitters models T12, T24)



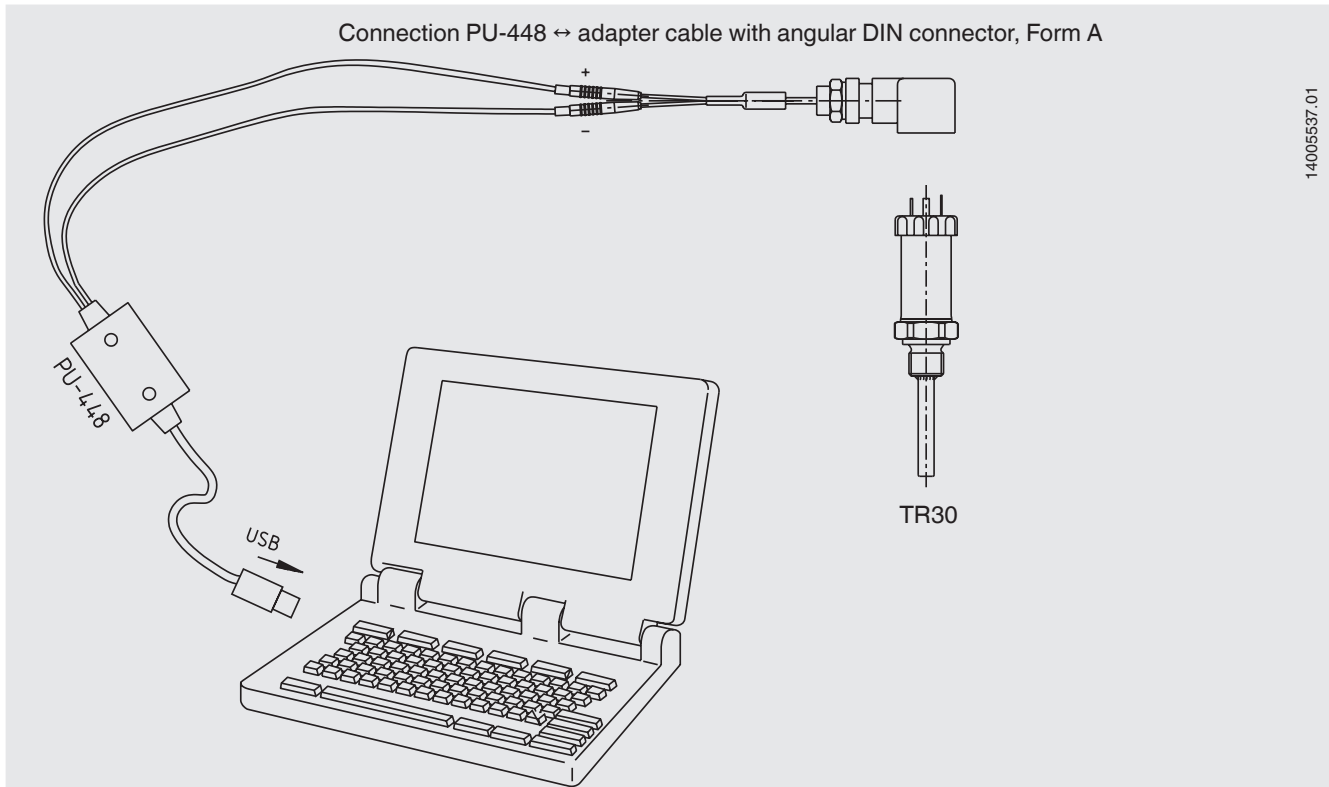
Adapter cable for M12 connector

(resistance thermometers models TR21, TR31, TR33 and TR34)



Adapter cable for angular DIN connector, Form A

(resistance thermometer model TR30)



Products	Order no.
Programming unit PU-448	11606304
magWIK quick connector	11604328
Adapter cable for M12 connector	14003193
Adapter cable for angular DIN connector, Form A	14005324
Crocodile clip set 2 mm socket tin plated (rd/bl)	14097967
Software WIKA_TT	Free download from www.wika.com/Download Configuration of models T24, TR21, TR30 and TR31
Software WIKA_T12	Free download from www.wika.com/Download Configuration of model T12
Software WIKAsoft-TT	Free download from www.wika.com/Download Configuration of models TR33 and TR34

Ordering information

To order the described product the given order number is sufficient.

© 2011 WIKA Alexander Wiegand SE & Co. KG, all rights reserved.
The specifications given in this document represent the state of engineering at the time of publishing.
We reserve the right to make modifications to the specifications and materials.

