

# Thermowell with threaded flange (solid-machined)

## Screwed and welded design

### Models TW10-S, TW10-B

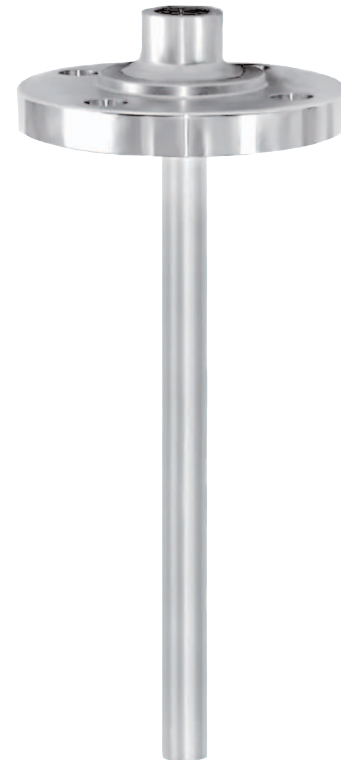
WIKA data sheet TW 95.11

#### Applications

- Petrochemical industry, on-/offshore, plant construction
- For high process loads

#### Special features

- Connection between flange and thermowell in thread-welded design
- Model TW10-S: No wetted welded joints (standard)
- Model TW10-B: Additional weld seam on the process side (sealing joint)
- Possible thermowell forms:
  - tapered, straight or stepped
  - "Quill Tip" version (with open tip)



Thermowell with threaded flange, model TW10-S

#### Description

Each thermowell is an important component of any temperature measurement point. It is used to separate the process from the surrounding area, thus protecting the environment and operating personnel and keeps aggressive media, high pressures and flow rates from the temperature sensor itself and thereby enables the thermometer to be exchanged during operation.

Based on the almost limitless application possibilities, there are a large number of variants, such as thermowell designs or materials. The type of process connection and the basic method of manufacture are important design differentiation criteria. A basic differentiation can be made between threaded and weld-in thermowells, and those with flange connections.

Furthermore, one can differentiate between fabricated and solid-machined thermowells. Fabricated thermowells are constructed from a tube, that is closed at the tip by a welded solid tip. Solid-machined thermowells are manufactured from barstock.

The TW10 series of solid-machined thermowells with flange connection are suitable for use with numerous electrical and mechanical thermometers from WIKA.

Due to the heavy-duty design, these international design thermowells are the first choice for use the chemical and petrochemical industries and in plant construction.

## Standard version

### Thermowell material

Stainless steel 304/304L, 316/316L, A105, 1.4571, special materials

### Flange

Threaded flange to ASME B16.5

### Connection to thermometer

½ NPT, G ½ female

"Quill Tip" version with weld-in connection ½" and ¾"

### Bore size

Ø 6.6 mm, Ø 8.5 mm

### Insertion length U

To customer specification

### Connection length H

57, 83, 102 mm (standard)

Others on request

### Max. process temperature, process pressure

Depending on

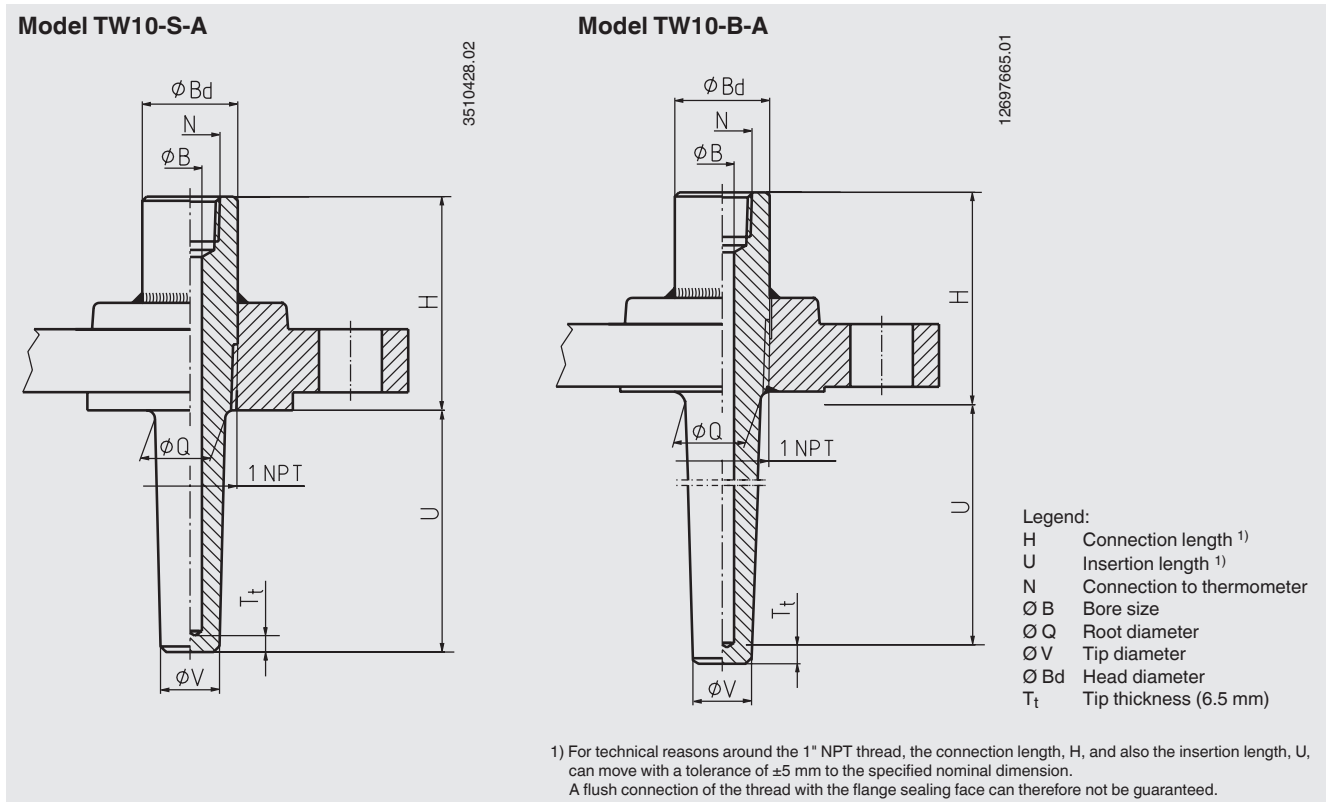
- Thermowell design
  - Dimensions
  - Material
  - Coating
  - Flange pressure rating
- Process conditions
  - Flow rate
  - Density of medium

## Options

- Other flanges, dimensions and materials
- "Quill Tip" version
- Tantalum coating for wetted parts (insertion length U + max. 3 mm)
- Quality certificates
- Thermowell calculation to ASME PTC 19.3-2010 is recommended in critical applications as a WIKA engineering service

For further information see Technical information IN 00.15 "Strength calculation for thermowells".

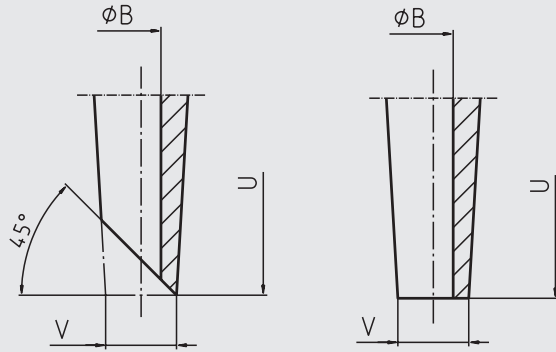
## Dimensions in mm



## "Quill Tip" version

Standard

Option: straight



DN	PN in lbs	Dimensions in mm					Weight in kg		
		H	Ø Q	Ø V	Ø B	Ø Bd	U = 4"	U = 13"	U = 22"
1"	150	2 ¼" (approx. 57 mm)	22	16	6.6 or 8.5	34	1.4	1.9	2.3
	300	2 ¼" (approx. 57 mm)	22	16	6.6 or 8.5	34	2.1	2.6	3.0
	600	2 ¼" (approx. 57 mm)	22	16	6.6 or 8.5	34	2.3	2.8	3.2
	1,500	3 ¼" (approx. 83 mm)	22	16	6.6 or 8.5	34	4.3	4.8	5.2
	2,500	3 ¼" (approx. 83 mm)	22	16	6.6 or 8.5	34	5.6	6.1	6.5
1½"	150	2 ¼" (approx. 57 mm)	25	19	6.6 or 8.5	34	2.0	2.6	3.2
	300	2 ¼" (approx. 57 mm)	25	19	6.6 or 8.5	34	3.3	3.9	4.5
	600	3 ¼" (approx. 83 mm)	25	19	6.6 or 8.5	34	4.0	4.7	5.3
	1,500	3 ¼" (approx. 83 mm)	25	19	6.6 or 8.5	34	6.4	7.1	7.7
	2,500	4" (approx. 102 mm)	25	19	6.6 or 8.5	34	12.0	12.6	13.3
2"	150	2 ¼" (approx. 57 mm)	25	19	6.6 or 8.5	34	2.8	3.4	4.0
	300	2 ¼" (approx. 57 mm)	25	19	6.6 or 8.5	34	3.7	4.3	4.9
	600	3 ¼" (approx. 83 mm)	25	19	6.6 or 8.5	34	4.6	5.3	5.9
	1,500	4" (approx. 102 mm)	25	19	6.6 or 8.5	34	11.0	11.6	12.3
	2,500	4 ¼" (approx. 108 mm)	25	19	6.6 or 8.5	34	17.0	17.6	18.3
2 ½"	150	2 ¼" (approx. 57 mm)	25	19	6.6 or 8.5	34	4.0	4.6	5.2
	300	3 ¼" (approx. 83 mm)	25	19	6.6 or 8.5	34	5.2	5.9	6.5
	600	3 ¼" (approx. 83 mm)	25	19	6.6 or 8.5	34	6.3	7.0	7.6
	1,500	4" (approx. 102 mm)	25	19	6.6 or 8.5	34	15.0	15.6	16.3
	2,500	4 ¼" (approx. 108 mm)	25	19	6.6 or 8.5	34	23.1	23.7	24.4

## Suitable stem lengths mechanical dial thermometers

Connection type	Stem length l <sub>1</sub>
S, 4, 5	l <sub>1</sub> = U + H - 10 mm
2	l <sub>1</sub> = U + H - 30 mm

## Sealing face roughness

Flange standard		AARH in µinch	Ra in µm	Rz in µm
ASME B16.5	Stock finish	125 ... 250	3.2 ... 6.3	-
	Smooth finish	< 125	< 3.2	-
	RTJ	< 63	< 1.6	-
	Tongue/groove	< 125	< 3.2	-
EN 1092-1	Form B1	-	3.2 ... 12.5	12.5 ... 50
	Form B2	-	0.8 ... 3.2	3.2 ... 12.5
DIN 2527	Form C	-	-	40 ... 160
	Form E	-	-	< 16

## Ordering information

Model / Thermowell form / Nominal diameter DN / Pressure rating PN / Sealing face / Connection to thermometer / Wall thickness of flange nozzle / Insertion length U / Connection length H / Flange material / Thermowell material / Head diameter / Bore diameter  $\varnothing$  B / Root diameter  $\varnothing$  Q / Tip diameter  $\varnothing$  V / Assembly with thermometer / Certificates / Options

© 2007 WIKA Alexander Wiegand SE & Co. KG, all rights reserved.  
The specifications given in this document represent the state of engineering at the time of publishing.  
We reserve the right to make modifications to the specifications and materials.



**WIKAL Alexander Wiegand SE & Co. KG**  
Alexander-Wiegand-Straße 30  
63911 Klingenberg/Germany  
Tel. (+49) 9372/132-0  
Fax (+49) 9372/132-406  
E-mail [info@wika.de](mailto:info@wika.de)  
[www.wika.de](http://www.wika.de)