

# Bimetal thermometer

## For air-conditioning and refrigeration systems

### Model 48

WIKA data sheet TM 48.01



for further approvals  
see page 3

#### Applications

- Air-conditioning and refrigeration systems
- Ventilation systems

#### Special features

- Accuracy class 2
- Nominal size 63, 80, 100 and 160
- Scale ranges from -30 ... +50 °C to 0 ... +120 °C



Bimetal thermometer model A48.10.080

#### Description

The model 48 bimetal thermometer has been specifically developed for use in air-conditioning and refrigeration technology for measuring the temperature in air ducts. Due to the flexibly adjustable flange, the thermometer can be adapted to all standard wall thicknesses of pipe insulations.

## Standard version

### Nominal size in mm

63, 80, 100 and 160

### Measuring element

Bimetal coil

### Models

Model	NS	Connection location
A48.10.063	63	Back mount (BM), centre
A48.10.080	80	
A48.10.100	100	
A48.10.160	160	

### Scale ranges

Scale range in °C	Scale spacing in °C
-30 ... +50	1
-20 ... +60	1
-10 ... +50	1
0 ... 60	1
0 ... 80	1
0 ... 120	2

### Connection

Flange,  $\varnothing d_2 = 61$  mm, steel zinc plated, adjustable on stem

### Stem

Insertion length  $l = 160, 200$  and  $300$  mm

$\varnothing 9$  mm copper alloy

Minimum immersion depth  $l_{\min} = \text{approx. } 60$  mm

### Accuracy class

Class 2 per EN 13190

### Case

Aluminium

### Dial

Aluminium, white, black lettering

### Pointer

Aluminium, black

### Window

Acrylic plastic

### Zero adjustment

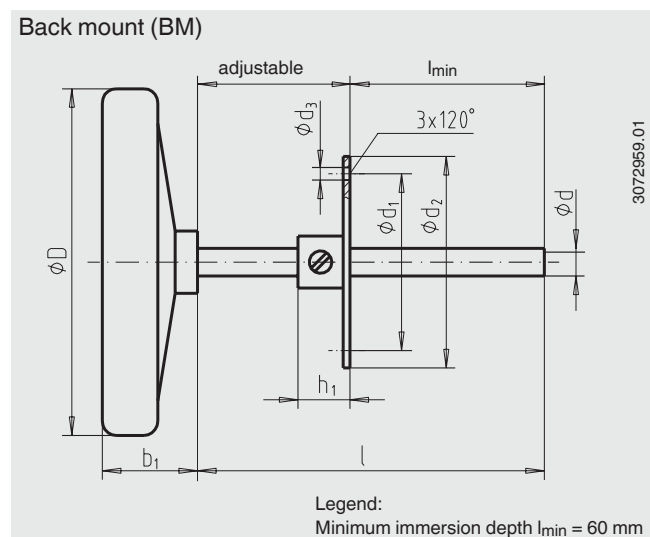
At bottom of stem

## Options

- Other scale ranges
- Other insertion lengths
- Flange  $\varnothing d_2 = 50$  mm
- Designs for medical applications on request

## Dimensions in mm

### Standard version



NS	Dimensions in mm								Weight in kg
	$\varnothing D$	$b_1$	$\varnothing d$	$\varnothing d_1$	$\varnothing d_2$	$\varnothing d_3$	$h_1$	$l$	
63	63	20	9	51	61	3.6	13	160, 200, 300	0.16
80	80	22	9	51	61	3.6	13	160, 200, 300	0.18
100	100	27	9	51	61	3.6	13	160, 200, 300	0.21
160	160	29	9	51	61	3.6	13	160, 200, 300	0.36

## Approvals

- **GOST**, metrology/measurement technology, Russia
- **CRN**, safety (e.g. electr. safety, overpressure, ...), Canada

## Certificates (option)

- 2.2 test report

Approvals and certificates, see website

## Ordering information

Model / Nominal size / Scale range / Connection / Insertion length I / Options

© 2008 WIKA Alexander Wiegand SE & Co. KG, all rights reserved.  
The specifications given in this document represent the state of engineering at the time of publishing.  
We reserve the right to make modifications to the specifications and materials.

